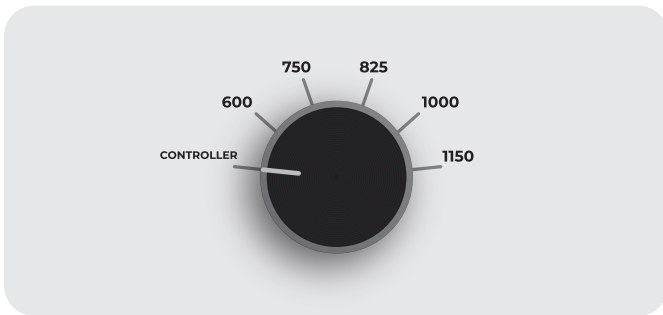


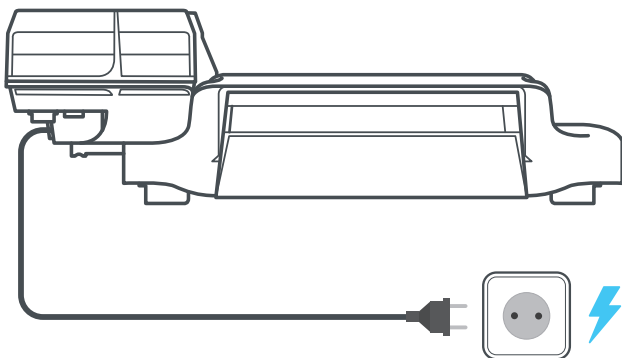
Quick Start Instructions

A walkthrough on how to set up the DLI fixtures on the DLM-4 Zone Controller.

1 Set your fixture(s) to the 'controller' setting:



2 Connect the fixture(s) to the main-power:



THE FIXTURES WILL SWITCH ON TO 1000W.
Default setting for the fixtures is to be on.

3 Setup ZONE 1 on the DLM-4 Zone Controller:

In order to test whether the fixtures listen to the controller, the controller has to send an "OFF" signal to the fixtures.

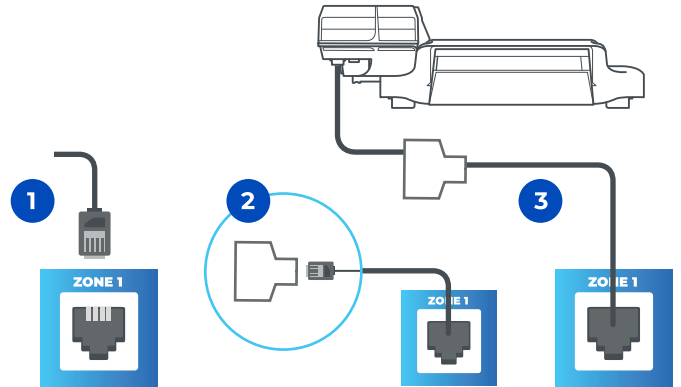
Configuration	
Output Unit	W
Temperature	F
Time Format	12h
Date Format	USA
Time	02:00:00pm
Date	03/08/2017

Zone 1	
Wattage	1000W
Output Max	1000W
On at	04:00pm
Off at	08:00pm
Dim at	88F
Stop at	93F
Sun R/S time	OFF
Sensor	Zone 1

In this example the current time is 02:00:00pm. Make sure ZONE 1 on the controller is in night-mode by setting the "ON" time 2 hours later than the current time.

THE CONTROLLER STARTS SENDING THE COMMAND "OFF" OVER THE LINE.

4 Connect one fixture to the controller:

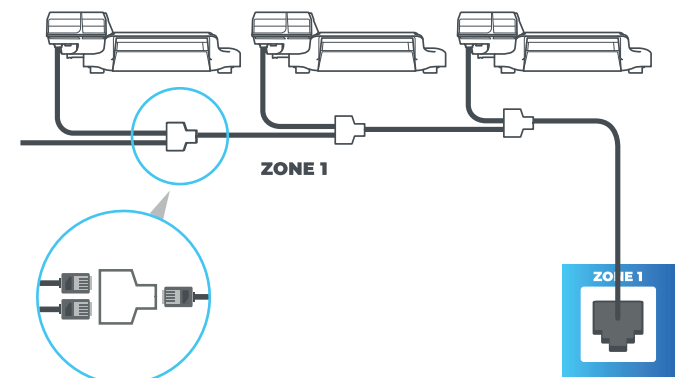


1. Plug one end of the controller cable into "ZONE 1".
2. Plug the other end of the controller cable into the input side of the t-splitter.
3. Connect a cable from one of the two output ports of the t-splitter to the fixture.

ONCE THE CABLE IS CONNECTED TO THE FIXTURE, IT SHOULD SWITCH OFF.

5 Connect more fixtures:

If this works, start adding fixtures one by one to the controller grid. Every fixture that gets connected should switch off.



ATTENTION:

- **ONLY** use cables supplied by Dutch Lighting Innovations. Each zone **MUST** have a single wattage / type of fixture connected to it.
- **DO NOT** mix fixtures with different wattages on the same zone.
- **FOLLOW ALL** local and national electrical codes for installation requirements.

Need more information?

Visit the website to get the full DLM-4 Zone instruction manual:
www.dutchlightinginnovations.com